

# CFD200/220 In-line Centrifugal Fan Range

## Domestic Range

CFD200/220 SCF200 & SLCFD

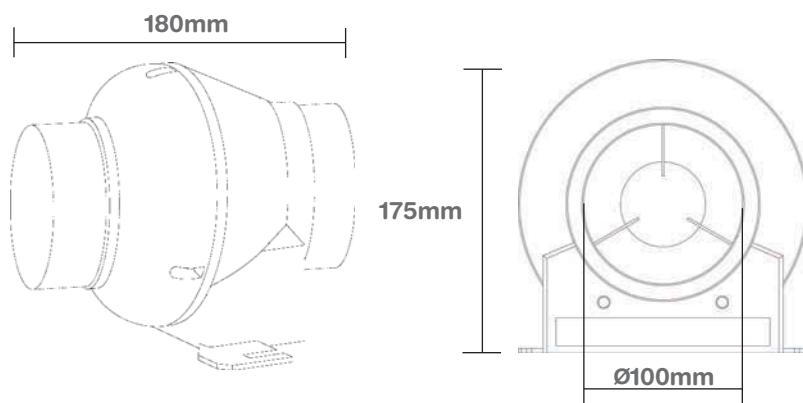


- Providing solutions for a wide range of domestic and commercial applications, the CFD200/220 in-line fan has been designed for use with suspended ceilings. A spring operated, non-return flap is built into the discharge spigot to prevent back draughts.
- Powerful, yet quiet and unobtrusive, the CFD200/220 units have extract rates of 110m<sup>3</sup>/hr 31 litres per second.
- The CFD series is suitable for a wide range of applications including bathrooms, toilets, shower rooms and utility rooms.
- The CFD series is fitted with backward curved centrifugal impellers for a large airflow against the high pressures caused by longer lengths of ducting and resistance by grilles.
- The CFD200/220 units are manufactured using high impact ABS thermoplastics for strength and durability, aesthetics and easy cleaning.
- Available with an integral mounting bracket. Designed to comply with the Building Regulations on Ventilation (F1).
- The CFD200/220 range is powered by a single phase induction motor with pre-oiled bearings for a long, maintenance-free life.
- The Shower Kit comprises of the CFD200 centrifugal in-line fan unit, 6 metres of PVC ducting and wall grilles.
- The Showerlite Kit comprises of the CFD200 centrifugal in-line fan unit, 6 metres of PVC ducting and wall grilles together with a chrome Showerlite fitting and transformer.
- The CFD220 has all the features of the CFD200 unit, but has the additional benefit of a 120mm outlet, thus making it suitable for 125mm (5") ducting systems.
- The SCF200 Series In-line Centrifugal Timer Kit now comes with a 3W LED lamp and uses 90% less power than a standard dichroic lamp.

## Technical Details

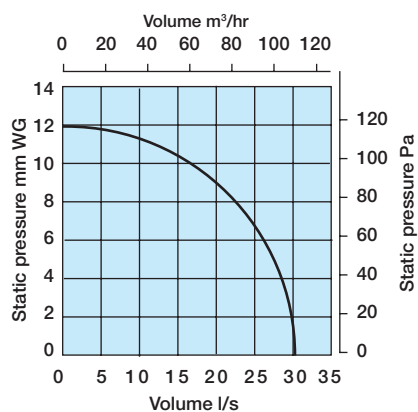
Cat. No.	Product type
CFD200	Standard model without bracket
CFD220	Standard model without bracket
CFD200S	Standard model with bracket
CFD220S	Standard model with bracket
CFD200T	Timer model with bracket
CFD220T	Timer model with bracket
SCF200S	Standard model in-line fan kit (100mmØ)
SCF200T	Timer model in-line fan kit (100mmØ)
SLCFDSC	Standard model in-line Showerlite fan kit (100mmØ) Chrome
SLCFDTC	Timer model in-line Showerlite fan kit (100mmØ) Chrome
LEDSCFDTCN	Timer model in-line fan kit (100mmØ) with a 3W Warm LED lamp and uses 90% less power than a standard dichroic lamp.
IWLEDSCFDTCN	As above with a 3W Cool LED lamp

### Dimensions



### Performance Graph

CFD200 Range 110m<sup>3</sup>/hr, 31 litres per second



### Packaging

CFD200/220 Series in outers of 5 measuring 200mm x 300mm x 240mm - weight 8kgs SCF200 Series in outers of 5. For packaging dimensions, please contact our technical department.

### Electrical

220-240V - AC. 50Hz . Single phase consuming 20W on the CFD200/220 and SCF200.

All wiring must comply with the current IEE regulations. A double pole isolating switch, having a contact separation of at least 3mm in all poles, must be used with a 3 amp fuse fitted.

### Additional Data

CFD200/220 SCF200  
 Maximum pressure 120p.a.  
 Fan speed: 1400 r.p.m.  
 Sound volume: 45.0dB(A)  
 Maximum operating temperature: 40°C